

STANDARD FOR HORIZONTAL MATERIAL HANDLING LAUNDRY TROLLEYS

NO: T.E.L. - 706 - Rev 3-15.

September 2015

Contents

1. FOREWARD	3
2. INTRODUCTION.....	3
3. SCOPE:	3
4. NORMATIVE REFERENCE.....	3
5. DEFINITIONS	4
6. DESIGN REQUIREMENTS.....	4
7. MATERIAL PROPERTIES	5
8. TROLLEY.....	5
9. TESTING.....	5
10. FINISHING OF METAL PARTS	6
11. MARKINGS:.....	7
12. PRODUCTION AND QUALITY CONTROL.....	7
13. HANDLING AND USE.....	7
14. RECYCLING/ REPAIR.....	7
Annex 1	8
Annex 2	10

1. FOREWARD

This document has been prepared to introduce standards and standardisation in the laundry handling industry for horizontal trolleys. This is a standardising document and aims to facilitate the use of Horizontal Material Handling Laundry Trolleys supplied by various suppliers within the same facility

2. INTRODUCTION

Horizontal Material Handling Laundry Trolleys, referred to as Trolleys from here on, are used in the Laundry and Hospitality industries to transport linen and other product. These trolleys vary in size and are required to meet certain standards in order to be safe, hygienic and reliable.

3. SCOPE:

This standard specifies the requirements for plastic Horizontal Material Handling Laundry Trolleys for use in the Laundry and Hospitality industries for the discharge and storage of Laundry and other products. The Trolleys will be used for the storage and transport of linen and goods which may be in contact with humans.

The purpose of the standard is to define the material used, specific requirements, type tests and production quality controls.

Companies manufacturing to this standard must be certified to ISO 9001 or equivalent.

4. NORMATIVE REFERENCE

This standard incorporates dated or undated references from other publications. These 'normative' references subsequent amendments to, or revisions of, any of these publications apply to this standard only when incorporated in it by amendment or revision. For undated reference the latest edition of the publication referred to applies.

ISO	1133	Plastics Determination of the Melt Flow Rate of Thermoplastics
ISO	1183	Plastics: Method of determining density
ISO	R527	Determination of Tensile Properties
ISO	175	Plastics: Determination of the effects of liquid chemicals, including water
ISO	1872	Plastics: Test specimen preparation
EN	45020	General terms and their definition concerning standardisation and related activities

5. DEFINITIONS

Horizontal Material Handling Laundry Trolley; A Horizontal, open top container that retains it's design shape for the purpose of carrying and transporting product without any external support other than elements incorporated in its design.

6. DESIGN REQUIREMENTS

- 6.1 The trolleys shall conform to the dimensions herein to facilitate the fitting onto a standard width truck or into a container. There shall be minimal room for the trolleys to move around during transport, thus protecting them from damage.
- 6.2 The product shall be manufactured from UV stabilised, medium density polyethylene. (Colour to be specified).
- 6.3 Any corners or edges on the product must be rounded to a minimum radius of 10mm.
- 6.4 Sufficient ribs and stiffeners shall be moulded into the product to generate strength and prevent warpage.
- 6.5 The product shall incorporate heavy duty, non-marking, freely moving castors with wheel and bearing protection.
- 6.6 The product shall have a protected steel support frame fitted onto the base of the product to facilitate load spread and to hold the castors in place.
- 6.7 Panels to accommodate customer signage or advertising shall be incorporated in the design.
- 6.8 Each product shall nest into each other to aid stacking, storage and transport.

7. MATERIAL PROPERTIES

- 7.1 Raw materials (Medium Density Polyethylene)
The material must be determined in accordance with ISO 1183 method A or D. A single resin polymer shall have a density not less than 932kg/ m³ and not greater than 952kg/ m³.
- 7.2 Melt Flow Rate
The Melt Flow Rate is measured in accordance with ISO 1133 Section 4, must be a maximum of 7g/10min and a minimum 3g/10min. Test to be carried out on raw material.
- 7.3 Weather Resistance
The material and colouring used in the manufacture of the body shall be ultra violet light stabilised to a rating of 8 or greater.
- 7.4 There shall be no colour give-off from any material in contact with the product being handled.
- 7.5 Fabrication of Steel Frame
All welding of steel components to be completed by a certified welder in accordance with EN 287-1.
- 7.6 Castors
Castors shall follow the specifications given in Annex 2.

8. TROLLEY

- 8.1 Capacity and Tolerance
The inner capacity shall be 1.08m³ +/- 15%.
- 8.2 Visual inspection
On visual inspection of the trolley there should be no bubbles, blisters, or other defects that could cause a hole or fracture.
- 8.3 Weight
The weight of the body of the trolley excluding all fittings shall be no less than 30kg +/-10%.
- 8.4 Wall thickness
The minimum wall thickness on any point of the sides, top or base shall not be less than 4mm +/- 5%.
- 8.5 Load capacity
The trolley shall be designed and tested to give a minimum load capacity of 600kg. The load capacity shall be stated on the product.
- 8.6 The certified load capacity shall be the stated load capacity multiplied by a factor of 1.25. The max. load shall be 750kg +/- 5%.
- 8.7 The trolley shall be sized as per Annex 1 +/- 10%.

9. TESTING

- 9.1 Kerb Test;
The trolley, complete with all its framework and fixings shall be subject to a series of tests as follows:
- The trolley shall be loaded with weight which equates to its certified capacity well distributed.
 - The temperature at test shall be 20°C +/- 5°C.
 - The trolley shall be pushed down a kerb drop of 100mm, 50 times while fully loaded. All 4 wheels shall be disembarked from the kerb during each drop.

d) Result:

- No failure of trolley, frame or any part shall occur.
- The trolley shall retain its shape and functionality during testing.
- The trolley when emptied shall return to its original shape within 1 hour and be suitable for re-use.

9.2 Lift test

The trolley fully loaded and under the same conditions as in 9.1 above shall be subjected to a series of 200 lifts by a fork truck in batches of 50.

• Result:

There shall be no deformation to the support frame or the trolley and when emptied shall return to its "fit for use" condition within 1 hour.

9.3 Test frequency

- a) Load capacity is a type test and shall be completed once at the initial stage of the product.
- b) Weight: The weight of the trolley shall be tested every 6 months from samples randomly picked from production to be sure the shot weight and material is consistent.
- c) Kerb test: product randomly selected from production run every 6 months shall be tested in accordance with 9.1 above
- d) Lift test: product randomly selected from production run every 6 months shall be tested in accordance with 9.2 above.
- e) Capacity: As defined in 8.1, is a type of test that is completed once off.
- f) Visual inspection: Every trolley.
- g) Wall thickness: product randomly selected from production run every 3 months shall be tested, samples taken from a grid of 24 locations spread over the 5 faces of the trolley shall be tested.

10. FINISHING OF METAL PARTS

All metal parts shall be protected as follows.

Frame: Galvanised or cadmium plated.

Fixings: Aluminium, Cadmium Plated, Zinc Plated, Galvanised or Stainless steel.

11. MARKINGS:

The following information should be marked on each trolley:

- Year of Manufacture.
- Standard number.
- Load capacity.
- Name of manufacturer.
- Maximum weight when empty.
- Quality checked and signed.
- Product code.

12. PRODUCTION AND QUALITY CONTROL

The tests described in chapter 9 of this standard shall be carried out at the frequency indicated above during production, quality control, and records maintained within a quality system. This system should be audited and certified by a Certified External Authority in accordance with CEN regulator EN 45020.

13. HANDLING AND USE

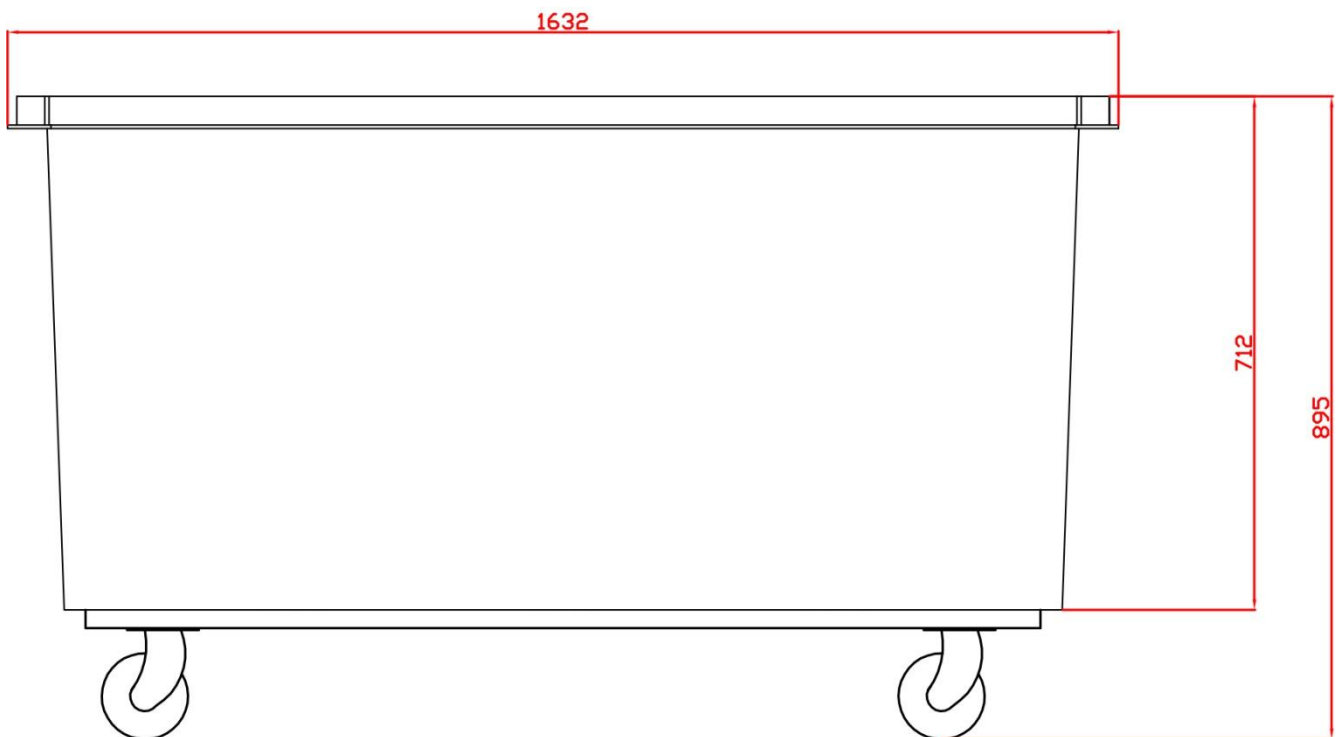
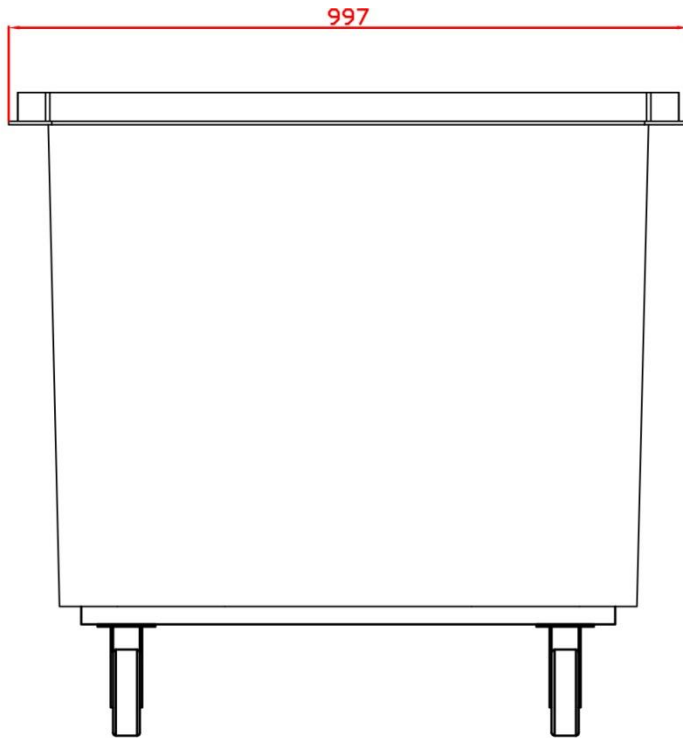
The manufacturer shall supply instructions for the handling and use of the trolley.

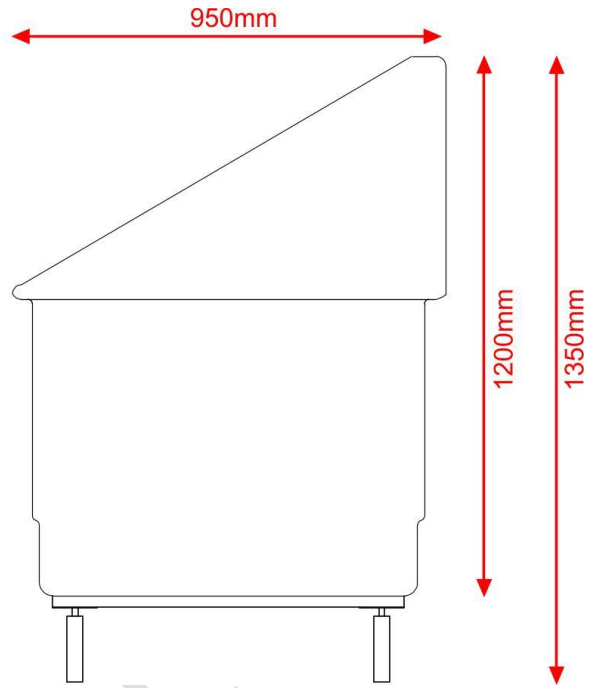
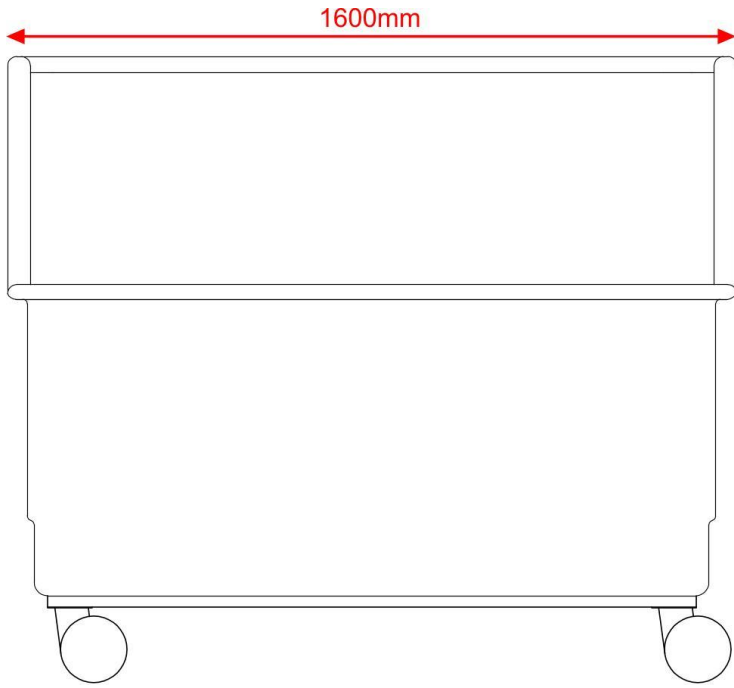
14. RECYCLING/ REPAIR

It shall be a condition of supply that the supplier offer the facility to take back for recycling, end of life product.
The supplier shall furthermore offer the facility to repair product which may suffer minor damage.

Annex 1

Trolley size +/- 10%





UNCONTROL

Annex 2

Castor Specifications.

Product Information

125mm '22' Blue Elastic Plate

Characteristics

Good floor preservation
Vibration absorbing
Temperature : -30° / +80° C

Low rolling and adrasion resistance
Hardness of thread: 70 shore A
Resistant to many aggressive substances

Wheel

Wheel Diameter	125mm
Wheel Width	37mm
Bearing Type	roller
Wheel Bore	14mm
Hub Length	48mm
Capacity	200kg

Castors

Zinc plated pressed steel housing

Wheel Diameter	125mm
Wheel Width	37mm
Bearing Type	roller
Plate Size	100x80mm
Hole Centres	80x60mm
Hole Diameter	9mm
Overall Heigth	152mm
Load Capacity	200kg
Offset on Swivel	39mm

