

STURDY 140lt 2 Wheeled Bin

Functionality, durability and low noise!

STURDY 2 wheeled 140lt bins are the ideal solution for waste disposal and collection.



Service Life:

Made from high density polyethylene, stabilised against UV degradation, is shock absorbent and resists many common chemicals and temperature extremes.

Wheels:

Wheels with rubber tyres for smooth operation and can withstand the severest of usage. Replacing the wheels is rapid and easy.

Ergonomic Lid:

Peripheral hand grip for easy opening.

Fixings:

Strong connections between the lid and the body and the wheels and body.

Safe Collection:

The reinforced flange ensures high reliability with regards to constraints caused by lifting / emptying operations.

Permanently Identified:

Bins can be stamped with a unique serial number on either the lid or the body.

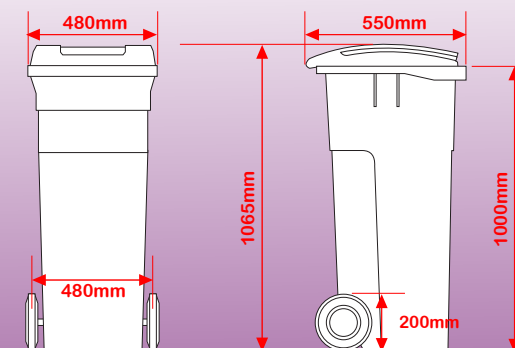
Environment:

These products are manufactured in an ISO 4001 certified production unit.



Product Specifications

140lt Bin Dimensions



Weight: 10.4 kg's Payload: 60 kg's