

STURDY PRODUCTS LTD



Mortar Tub Trolley

- Our Mortar Tub Trolley is suitable to be used on leveled concrete Floors only.
- Mortar Tub Trolley is used for transporting mortar tubs filled with concrete. It uses a long handle in order to provide maximum leverage making it easier for the user to operate.
- Thanks to unique extension frame, the trolley can accommodate our 330lt and 250lt sized tubs.
- It comes with two standard pneumatic tyres and one swivel wheel in the back with load capacity of up to 650kg.



Product Guide:

330LT

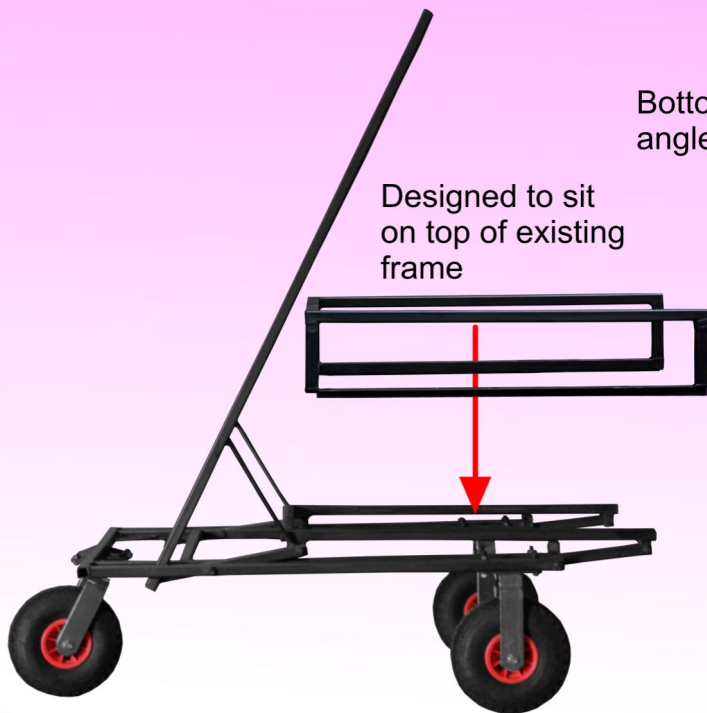
Product code: 325-A

250LT

Product code: 060-A

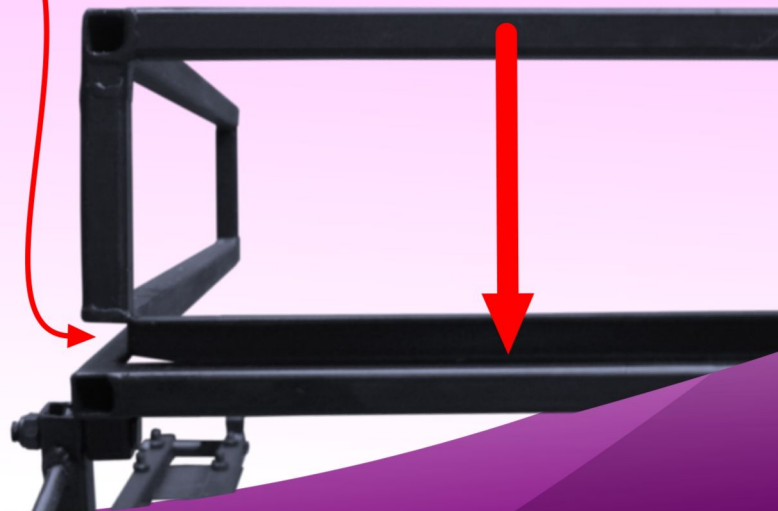


- The **Mortar Tub Trolley** is developed to accommodate two different sizes of Mortar Tubs. By default the product is developed for the smaller 250lt Tub however its extension frame allows for the larger 330lt tub to be used as well.
- The bottom part of the **extension frame** is made out of angled iron, which allows for comfortable fit and operation. Due to tight fit, there are no extra fittings required to fix it in place, meaning the extension frame simply sits on top of the default frame making it very easy to switch between tubs.



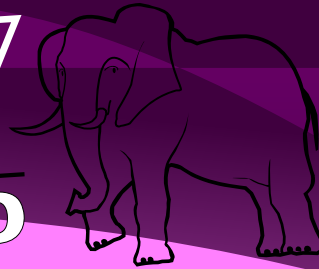
Bottom of the frame made from angled iron to allow tight fit

Plug&Play Extension frame
(No need for any fixings)



STURDY

PRODUCTS LTD



STURDY PRODUCTS LIMITED

Blessington Industrial Estate,
Blessington,
Co. Wicklow,
Ireland

Tel: +353 (0)45 865044

Fax: +353 (0)45 865721

E-mail: sales@sturdyproducts.com

Website: www.sturdyproducts.com



330LT

Product code: 325-A



250LT

Product code: 060-A

STURDY
PRODUCTS LTD

